



**NEW Compact 900**

Single Convector Type 11

Height mm	Length mm	Henrad Code	Heat emissions	
			Watts	Btu/hr
<b>900</b>	400	2091104	544	1856
	500	2091105	680	2320
	600	2091106	816	2784
	700	2091107	952	3248
	800	2091108	1088	3712
	900	2091109	1224	4176
	1000	2091110	1360	4640

Btu/hr @  $\Delta t50^{\circ}\text{C}$

**NEW Compact 900**

Double Convector Type 22

Height mm	Length mm	Henrad Code	Heat emissions	
			Watts	Btu/hr
<b>900</b>	400	2092204	958	3269
	500	2092205	1198	4088
	600	2092206	1437	4903
	700	2092207	1677	5722
	800	2092208	1916	6537
	900	2092209	2156	7356
	1000	2092210	2395	8172

Btu/hr @  $\Delta t50^{\circ}\text{C}$



For technical and installation information  
visit our website [www.henrad.co.uk/downloads](http://www.henrad.co.uk/downloads)

## Technical Data

### Testing and Operating Pressures

Henrad Compact 900 has been independently tested to ensure radiators perform to a maximum working pressure of 10.0 bar.

### Connections

Henrad Compact 900 has 4 x 1/2" BSP connections as standard.

### Paint Process

Two coat paint process, each Henrad radiator is subjected to a multi-stage cleaning and paint process.

The final powder coat is Traffic white (RAL A9016) which is stoved and cooled to give a perfect finish. All radiators are illustrated in Traffic white unless stated.

### Water Treatment

Installation of the system should be properly flushed and fitted in accordance with the British Code of Practice for the Treatment of Water in Domestic Hot Water Central Heating Systems.

### Warranty

Henrad Compact 900 comes with a 10 year manufacturer's warranty.

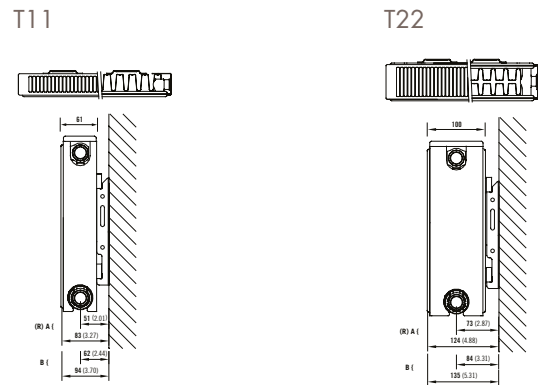
Henrad (UK) Limited, Marriot Road,  
Mexborough, South Yorkshire S64 8BN.  
Telephone: 0800 876 6813

[www.henrad.co.uk](http://www.henrad.co.uk)

## Compact 900

### Wall Mounting Information

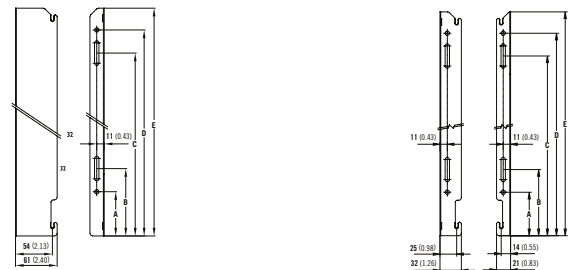
All dimensions in mm. Inches in brackets.  
Floor mounting brackets available.



**Bracket Position** A = Closest to wall, B = Furthest from wall, (R) = Recommended unting position.

### Mounting Bracket Information

All dimensions in mm. Inches in brackets.  
Floor mounting brackets available.

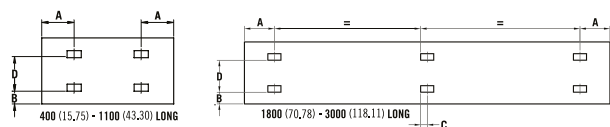


All dimensions in mm.

Height	300	500	600	700	900
A	65	65	65	65	65
B	119	99	99	99	99
C	-	269	419	519	71
D	153	303	453	553	753
E	185	335	485	585	785

### T11 & T Lug Positions

All dimensions in mm. Inches in brackets.



Panel Height	D
mm	mm
300	153
500	303
600	453
700	553
900	753

T22	T11
Dimensions	Dimensions
mm	mm
A	133 A 400mm 117
B	60 A 500 - 3000mm 150
	B 400 - 3000mm 60
	C 1800 - 3000mm 17