

Column 2

Height mm	Length mm	Henrad Code	Heat emissions	
			Watts	Btu/hr
500	624	313012	494	1685
	854	313013	684	2332
	1038	313014	836	2851
	1268	313015	1026	3499
600	624	313028	582	1986
	854	313029	806	2750
	1038	313030	986	3361
	1268	313031	1210	4125

Btu/hr @ $\Delta t50^{\circ}\text{C}$

Column 2 Vertical

Height mm	Length mm	Henrad Code	Heat emissions	
			Watts	Btu/hr
1800	348	313054	896	3055
	440	313055	1152	3928
2000	348	313056	994	3390
	440	313057	1278	4358
2500	348	313058	1260	4297
	440	313059	1620	5524

Btu/hr @ $\Delta t50^{\circ}\text{C}$

Due to production tolerances, the length of the product and therefore the top centres could contain a variation of +/- 1.5% of the overall stated length.

Column 3

Height mm	Length mm	Henrad Code	Heat emissions	
			Watts	Btu/hr
300	440	313000	298	1016
	624	313001	430	1467
	854	313002	596	2032
	1038	313003	728	2483
	1268	313004	894	3048
	1452	313005	1026	3499
500	1866	313006	1324	4515
	440	313016	464	1584
	624	313017	671	2287
	854	313018	929	3167
	1038	313019	1135	3871
	1268	313020	1393	4751
600	1452	313021	1600	5455
	1866	313022	2064	7038
	440	313032	547	1866
	624	313033	790	2695
	854	313034	1094	3732
	1038	313035	1338	4561
750	1268	313036	1642	5598
	1452	313037	1885	6427
	1866	313038	2432	8293
	854	313044	1341	4573
	1038	313045	1639	5589
	1268	313046	2012	6859
750	1452	313047	2310	7875
	1866	313048	2980	10162

Btu/hr @ $\Delta t50^{\circ}\text{C}$

Column 4

Height mm	Length mm	Henrad Code	Heat emissions	
			Watts	Btu/hr
300	440	313007	381	1298
	624	313008	550	1875
	854	313009	761	2596
	1038	313010	931	3173
500	1268	313011	1142	3895
	440	313023	615	2096
	624	313024	888	3028
	854	313025	1229	4192
600	1038	313026	1503	5124
	1268	313027	1844	6288
	440	313039	730	2489
	624	313040	1054	3595
750	854	313041	1460	4978
	1038	313042	1784	6084
	1268	313043	2190	7467
	440	313049	900	3069
750	624	313050	1300	4433
	854	313051	1800	6138
	1038	313052	2200	7502
	1268	313053	2700	9207

Btu/hr @ $\Delta t50^{\circ}\text{C}$

Column 2 Vertical

Column 2

Column 3

Column 4



Technical information

Testing and Operating Pressures

Henrad Column Range has been independently tested to ensure these radiators perform to a maximum working pressure of 10.0 bar.

Connections

Each radiator comes with 1/2" inlet connections as standard.

Paint Process

Two coat paint process, each Henrad radiator is subjected to a multi-stage cleaning and paint process.

The final powder coat is Traffic white (RAL 9016) which is stoved and cooled to give a perfect finish. All radiators are illustrated in Traffic white unless stated.

Water Treatment

Installation of the system should be properly flushed and fitted in accordance with the British Code of Practice for the Treatment of Water in Domestic Hot Water Central Heating Systems.

Warranty

Henrad Column Range comes with a 5 year manufacturer's warranty.

Working pressure:
Tested to withstand 10.0 bar



For technical and installation information visit our website
www.henrad.co.uk/downloads



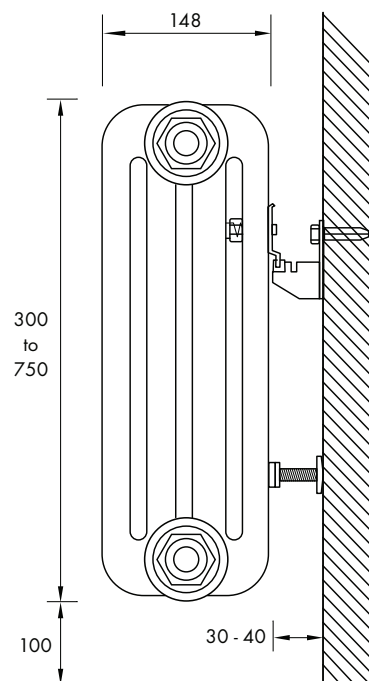
Henrad (UK) Limited, Marriott Road,
Mexborough, South Yorkshire S64 8BN.
Telephone: 0844 543 6200 Facsimile: 0844 543 6300

www.henrad.co.uk

Henrad Column Range

Wall Mounting Information

All dimensions in mm.



Accessories

- 163061 Wall bracket retaining spring
- 163062 Wall bracket clamp for classic column (BH)
- 163060 Wall bracket (CVD)

Number of CVD Brackets BH Clamps Required	Number of sections
4	0 - 23
6	24 - 41