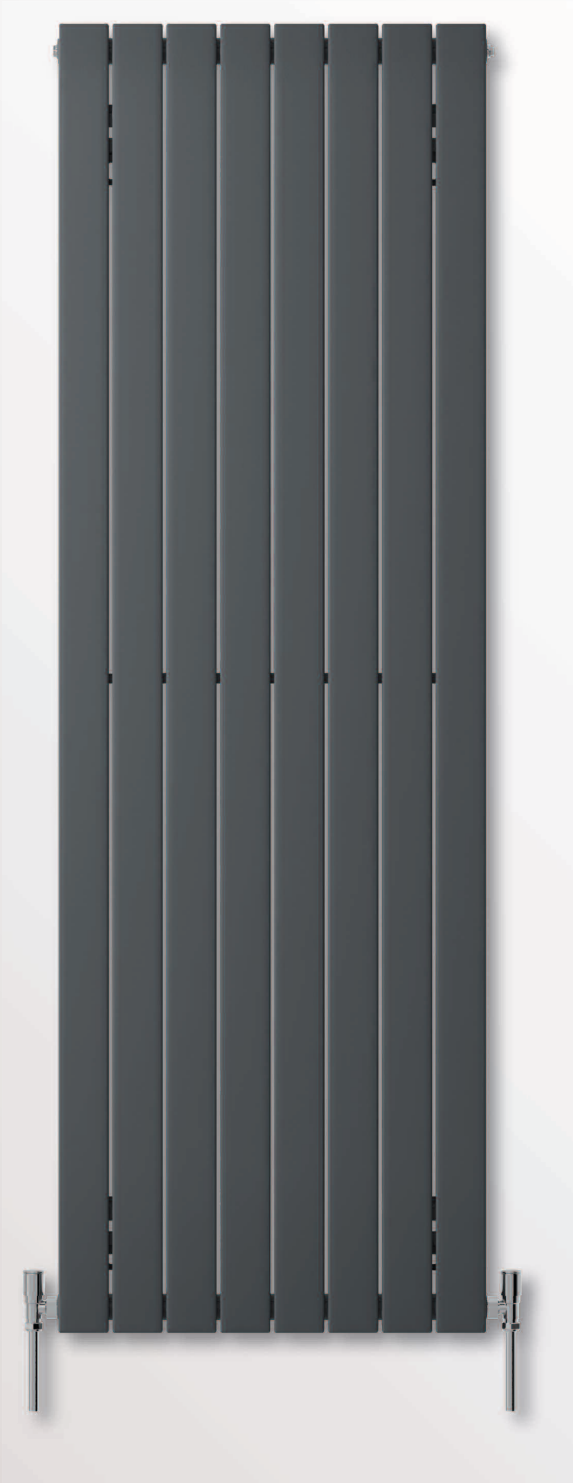


Prices
exclude
VAT

Verona Vertical Concept Single



NEW
Verona Vertical Concept Single

Height mm	Length mm	Henrad Code	Heat emissions		Henrad Price
			Watts	Btu/hr	
1800	444	248652	852	2907	£338.10
	592	248653	1136	3876	£454.20
	740	248654	1420	4845	£520.31

Btu/hr @ Δt50°C

NEW
Verona Vertical Concept Double

Height mm	Length mm	Henrad Code	Heat emissions		Henrad Price
			Watts	Btu/hr	
1800	444	248655	1254	4279	£671.82
	592	248656	1672	5705	£789.75
	740	248657	2090	7131	£918.20

Btu/hr @ Δt50°C

Working pressure:
Tested to withstand 4.0 bar



For technical and installation
information visit our website
www.henrad.co.uk/downloads



Verona Vertical Concept in RAL A7015 Slate grey available in stock.

Technical information

Testing and Operating Pressures

Henrad Verona Vertical Concept has been independently tested to ensure these radiators perform to a maximum working pressure of 4.0 bar.

Paint Process

Two coat paint process, each Henrad radiator is subjected to a multi-stage cleaning and paint process.

The final powder coat is Slate grey (RAL A7015) which is stoved and cooled to give a perfect finish.

Water Treatment

Installation of the system should be properly flushed and fitted in accordance with the British Code of Practice for the Treatment of Water in Domestic Hot Water Central Heating Systems.

Warranty

Henrad Verona Vertical Concept comes with a 5 year manufacturer's warranty.

Henrad Verona Vertical Concept

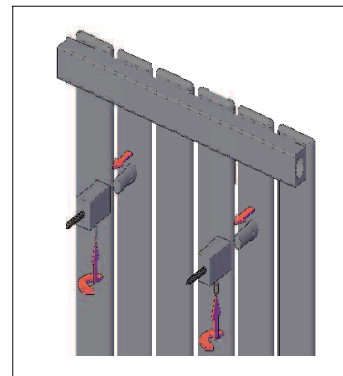
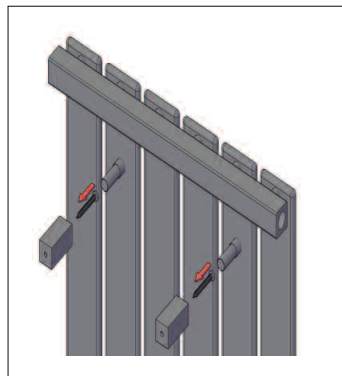
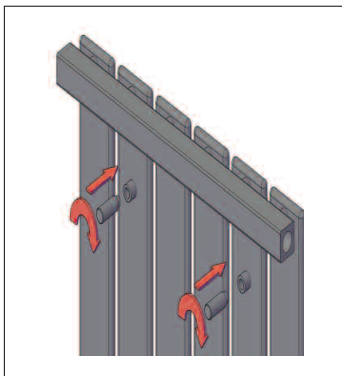
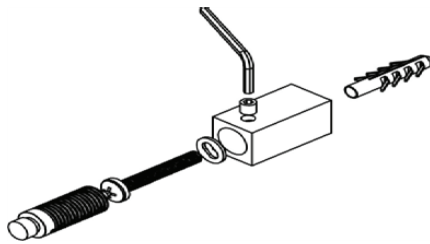
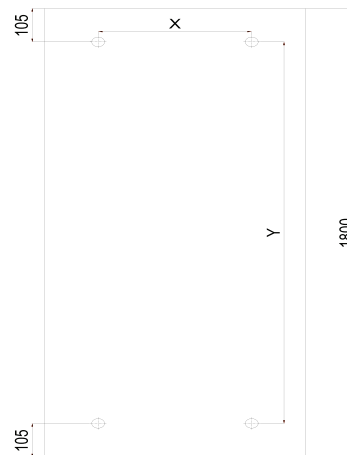
Wall Mounting Information

All dimensions in mm.

EN 442 Certification Data - CETIAT Tested in Accordance with BS EN 442

Type	Vertical	
Height	1800	2000
W/m at 75/65/20	1846	2041
n-coefficients	1.31	1.31
Heated surface area (m ² /m)	4.01	4.42
Weight (kg/m)	44.2	49.4
Water contents (l/m)	14.3	16.9
Wall to tap centre (mm)	43	43

Width (mm)	X (mm)	Y (mm)
310	80	1590
390	160	1590
470	240	1590
604	356	1590



Henrad (UK) Limited, Marriott Road,
Mexborough, South Yorkshire S64 8BN.
Telephone: 0844 543 6200 Facsimile: 0844 543 6300

www.henrad.co.uk