

Verona Vertical Chrome

Height mm	Length mm	Henrad Code	Heat emissions	
			Watts	Btu/hr
1800	310	751101	395	1348
	390	751102	495	1688
	470	751103	528	1801
	604	751104	654	2232

Btu/hr @ $\Delta t 50^{\circ}\text{C}$

Working pressure:
Tested to withstand 4.0 bar



For technical and installation
information visit our website
www.henrad.co.uk/downloads



Technical information

Testing and Operating Pressures

Henrad Verona Vertical Chrome has been independently tested to ensure these radiators perform to a maximum working pressure of 4.0 bar.

Finish

Chrome.

Water Treatment

Installation of the system should be properly flushed and fitted in accordance with the British Code of Practice for the Treatment of Water in Domestic Hot Water Central Heating Systems.

Warranty

Henrad Verona Vertical Chrome comes with a 5 year manufacturer's warranty.

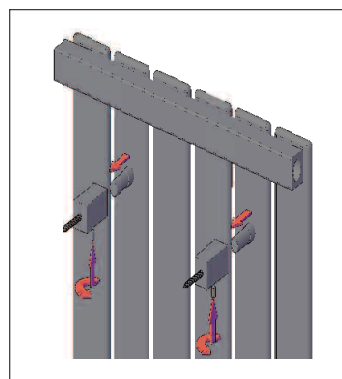
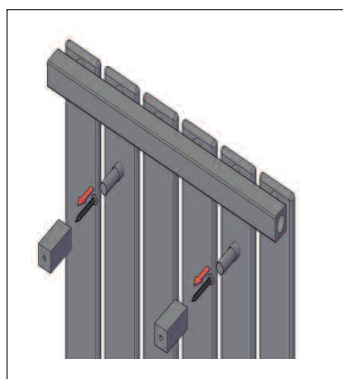
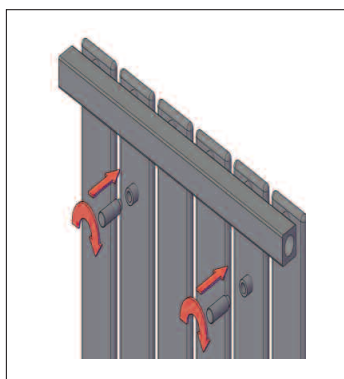
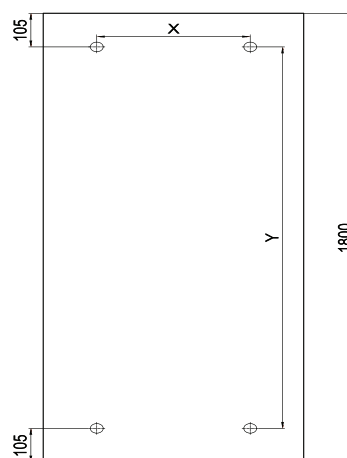
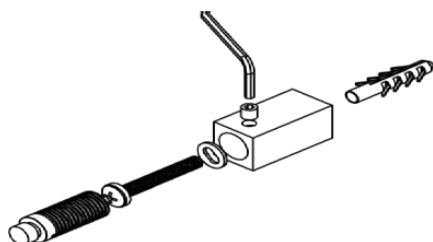
Henrad Verona Vertical Chrome

Wall Mounting Information

All dimensions in mm.

Type	Vertical	
Height	1800	2000
Heated surface area (m ² /m)	4.01	4.42
Weight (kg/m)	44.2	49.4
Water contents (l/m)	14.3	16.9
Wall to tap centre (mm)	43	43

Width (mm)	X (mm)	Y (mm)
310	80	1590
390	160	1590
470	240	1590
604	356	1590



Henrad (UK) Limited, Marriott Road,
Mexborough, South Yorkshire S64 8BN.
Telephone: 0800 876 6813

www.henrad.co.uk