

Column Vertical Concept 2

Height mm	Length mm	Henrad Code	Heat emissions	
			Watts	Btu/hr
1800	440	313155	1152	3928
2000	440	313157	1278	4358

Btu/hr @ $\Delta t 50^{\circ}\text{C}$

Working pressure:
Tested to withstand 10.0 bar



For technical and installation
information visit our website
www.henrad.co.uk/downloads



Column Vertical Concept is only available
in Slate grey RAL A7015.

Technical information

Testing and Operating Pressures

Henrad Column Vertical Concept has been independently tested to ensure these radiators perform to a maximum working pressure of 10.0 bar.

Connections

Each radiator comes with 1/2" inlet connections as standard.

Paint Process

Two coat paint process, each Henrad radiator is subjected to a multi-stage cleaning and paint process.

The final powder coat is Slate grey (RAL A7015) which is stoved and cooled to give a perfect finish.

Water Treatment

Installation of the system should be properly flushed and fitted in accordance with the British Code of Practice for the Treatment of Water in Domestic Hot Water Central Heating Systems.

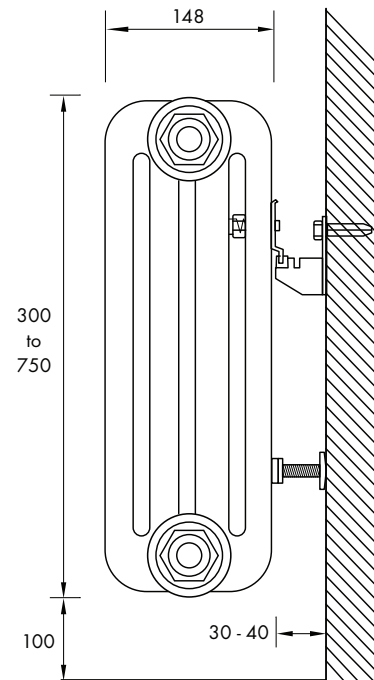
Warranty

Henrad Column Vertical Concept comes with a 5 year manufacturer's warranty.

Henrad Column Vertical Concept

Wall Mounting Information

All dimensions in mm.



Accessories

- 163061 Wall bracket retaining spring
- 163062 Wall bracket clamp for classic column (BH)
- 148137 Column feet set for 3 & 4 column

Number of CVD Brackets BH Clamps Required	Number of sections
4	0 - 23
6	24 - 41

Due to production tolerances, the length of the product and therefore the tap centres could contain a variation of +/- 1.5% of the overall stated length.