



Prices
exclude
VAT

Height mm	Length mm	Tap Centres	Henrad Code	Heat emissions		Henrad Price
				Watts	Btu/hr	
1800	320	320	248300	872	2976	£254.26
	440	440	248301	1199	4092	£317.82
	520	520	248302	1417	4836	£381.39
	640	640	248303	1744	5952	£444.95
2000	320	320	248304	978	3338	£298.75
	440	440	248305	1344	4587	£362.32
	520	520	248306	1589	5423	£425.88
	640	640	248307	1956	6676	£489.45

Btu/hr @ $\Delta t 50^{\circ}\text{C}$

Working pressure:
Tested to withstand 4.6 bar



For technical and installation
information visit our website
www.henrad.co.uk/downloads



Technical information

Testing and Operating Pressures

Henrad Verona Range has been independently tested to ensure radiators perform to a maximum working pressure of 4.6 bar.

Connections

Henrad Verona has 2 x 15mm connections (BOE) as standard.

Paint Process

Two coat paint process, each Henrad radiator is subjected to a multi-stage cleaning and paint process.

The final powder coat is Traffic white (RAL 9016) which is stoved and cooled to give a perfect finish. All radiators are illustrated in Traffic white unless stated.

Water Treatment

Installation of the system should be properly flushed and fitted in accordance with the British Code of Practice for the Treatment of Water in Domestic Hot Water Central Heating Systems.

Warranty

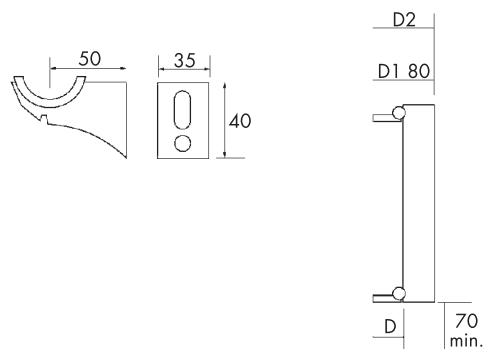
Henrad Verona Range come with a 5 year manufacturer's warranty.

Henrad Verona

Wall Mounting Information

All dimensions in mm.

Henrad Verona Slimline



Type	Back face to finished wall D	From wall to centre of connections D1	From front of radiator to wall D2
Verona Slimline	35	50	130