



Prices
exclude
VAT

Verona Slimline

Height mm	Length mm	Tap Centres	Henrad Code	F & P Code	Heat emissions WattsBtu/hr	F & P List Price
1800	320	320	248300	110719	872 2976	£254.26
	440	440	248301	110720	1199 4092	£317.82
	520	520	248302	110723	1417 4836	£381.39
	640	640	248303	110725	1744 5952	£444.95
2000	320	320	248304	110727	978 3338	£298.75
	440	440	248305	110728	1344 4587	£362.32
	520	520	248306	110726	1589 5423	£425.88
	640	640	248307	110721	1956 6676	£489.45

Btu/hr @ $\Delta t 50^{\circ}\text{C}$

Working pressure:
Tested to withstand 4.6 bar



For technical and installation
information visit our website
www.henrad.co.uk/downloads



Technical information

Testing and Operating Pressures

Henrad Verona Range has been independently tested to ensure radiators perform to a maximum working pressure of 4.6 bar.

Connections

Henrad Verona has 2 x 15mm connections (BOE) as standard.

Paint Process

Two coat paint process, each Henrad radiator is subjected to a multi-stage cleaning and paint process.

The final powder coat is Traffic white (RAL A9016) which is stoved and cooled to give a perfect finish. All radiators are illustrated in Traffic white unless stated.

Water Treatment

Installation of the system should be properly flushed and fitted in accordance with the British Code of Practice for the Treatment of Water in Domestic Hot Water Central Heating Systems.

Warranty

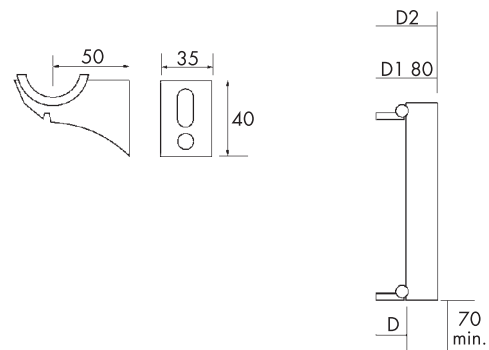
Henrad Verona Range come with a 5 year manufacturer's warranty.

Henrad Verona

Wall Mounting Information

All dimensions in mm.

Henrad Verona Slimline



Type	Back face to finished wall D	From wall to centre of connections D1	From front of radiator to wall D2
Verona Slimline	35	50	130