

Technical information

Testing and Operating Pressures

Henrad Plan Concept has been independently tested to ensure these radiators perform to a maximum working pressure of 8 bar.

Connections

Henrad Plan Concept has 4 x 1/2" BSP connections as standard.

Paint Process

Two coat paint process, each Henrad radiator is subjected to a multi-stage cleaning and paint process.

The final powder coat is Slate grey (RAL A7015) which is stoved and cooled to give a perfect finish.

Water Treatment

Installation of the system should be properly flushed and fitted in accordance with the British Code of Practice for the Treatment of Water in Domestic Hot Water Central Heating Systems.

Warranty

Henrad Plan Concept comes with a 5 year manufacturer's warranty.

Henrad (UK) Limited, Marriott Road,
Mexborough, South Yorkshire S64 8BN.
Telephone: 0844 543 6200 Facsimile: 0844 543 6300

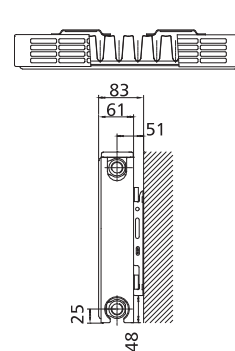
www.henrad.co.uk

Henrad Plan Concept

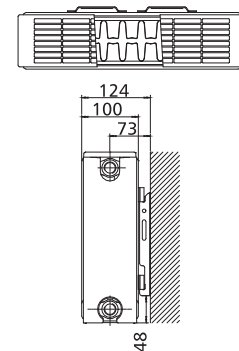
Wall Mounting Information

All dimensions in mm.

T11

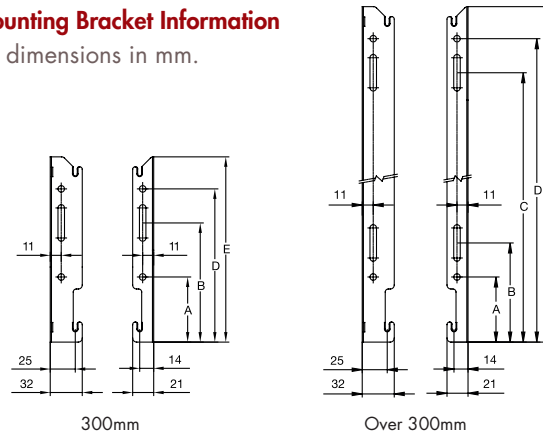


T22



Mounting Bracket Information

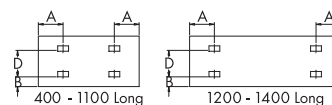
All dimensions in mm.



All dimensions in mm.	
Height	600
A	65
B	99
C	419
D	453
E	485

T11 & T22 Lug Positions

All dimensions in mm.



Panel Height	D
mm	mm
600	455

T22	T11
Dimensions	Dimensions
mm	mm
A 133	A 400mm
B 60	A 500 - 3000mm
	B 400 - 3000mm
	60