

Technical information

Testing and Operating Pressures

Henrad LST Standard has been independently tested to ensure radiators perform to a maximum working pressure of 8 bar.

Connections

Henrad LST Standard has 4 x 1/2" BSP connections as standard.

Paint Process

Two coat paint process, each Henrad radiator is subjected to a multi-stage cleaning and paint process.

The final powder coat is Traffic white (RAL A9016) which is stoved and cooled to give a perfect finish. All radiators are illustrated in Traffic white unless stated.

Water Treatment

Installation of the system should be properly flushed and fitted in accordance with the British Code of Practice for the Treatment of Water in Domestic Hot Water Central Heating Systems.

Warranty

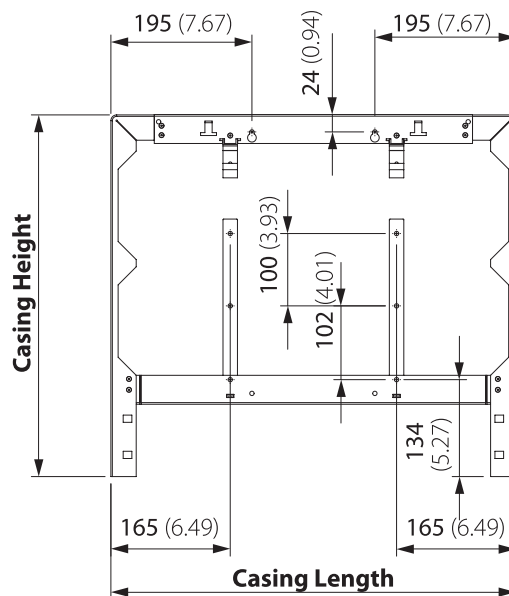
LST Standard comes with a 10 year manufacturer's warranty on Emitter and 5 year manufacturer's warranty on Casing.

Henrad (UK) Limited, Marriott Road,
Mexborough, South Yorkshire S64 8BN.
Telephone: 0844 543 6200 Facsimile: 0844 543 6300

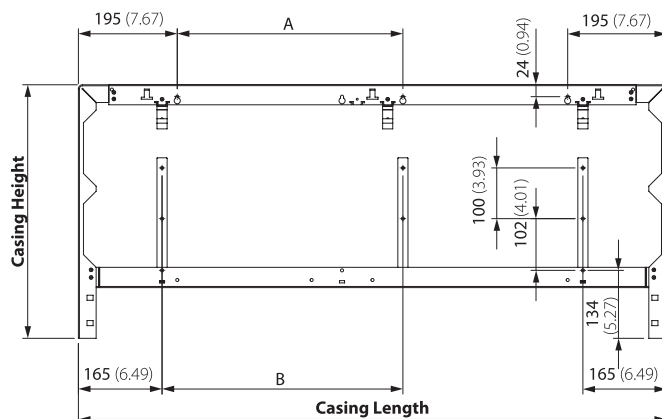
www.henrad.co.uk

LST Standard

All dimensions in mm unless stated.

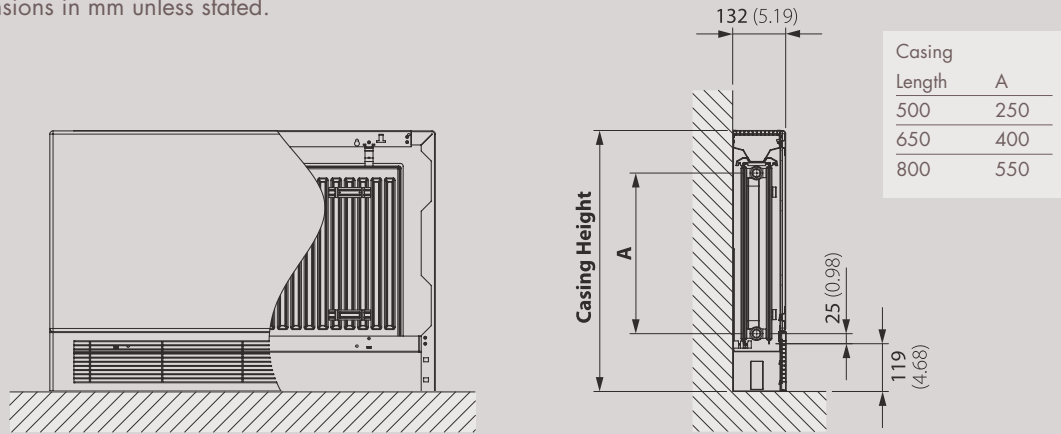


Casing Length	Casing Height
560	500
760	650
960	800

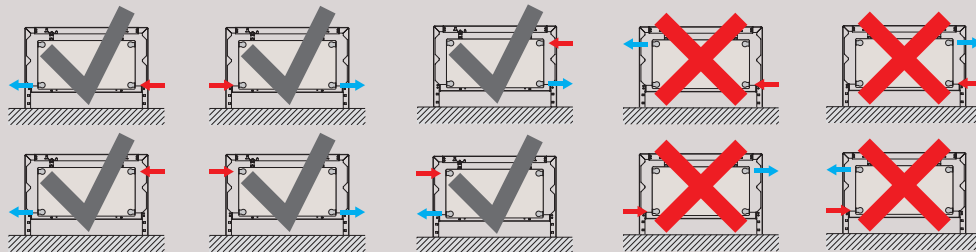


Casing Length	A	B	Casing Height
1160	445	475	500
1360	545	575	650
1560	645	675	800
1760	745	775	
1960	845	875	

All dimensions in mm unless stated.



LST Standard piping option



LST Standard front case view.



LST Standard inside the casing showing the emitter.



LST Standard emitter, showing high level valve option (valve not included).



LST Standard circular knockout for TRV. Oblong knockout for pipe.