

Everest Line Type 11



Working pressure:
Tested to withstand 10.0 bar



For technical and installation
information visit our website
www.henrad.co.uk/downloads



Everest Line Type 22



Have you considered
Plan?

Everest Line

Single Convector Type 11

Height mm	Length mm	Henrad Code	Heat emissions	
			Watts	Btu/hr
300	500	3031105	235	802
	1000	3031110	469	1601
	1500	3031115	704	2401
500	400	3051104	298	1017
	600	3051106	448	1530
	800	3051108	598	2040
	1000	3051110	746	2545
	1200	3051112	897	3060
	1400	3051114	1046	3570
	1600	3051116	1194	4075
600	1800	3051118	1343	4584
	400	3061104	348	1188
	600	3061106	522	1782
	800	3061108	696	2375
	1000	3061110	870	2969
	1200	3061112	1044	3563
	1400	3061114	1219	4158
	1600	3061116	1392	4751
	1800	3061118	1566	5345
	2000	3061120	1741	5939

Btu/hr @ $\Delta t 50^{\circ}\text{C}$

Everest Line

Double Convector Type 22

Height mm	Length mm	Henrad Code	Heat emissions	
			Watts	Btu/hr
300	500	3032205	465	1587
	1000	3032210	929	3171
	1500	3032215	1394	4756
500	400	3052204	555	1894
	600	3052206	833	2843
	800	3052208	1110	3788
	1000	3052210	1388	4737
	1200	3052212	1666	5686
	1400	3052214	1943	6631
	1600	3052216	2222	7580
600	1800	3052218	2499	8526
	400	3062204	640	2184
	600	3062206	961	3280
	800	3062208	1281	4372
	1000	3062210	1601	5464
	1200	3062212	1921	6556
	1400	3062214	2241	7649
	1600	3062216	2563	8744
	1800	3062218	2883	9836
	2000	3062220	3203	10928

Btu/hr @ $\Delta t 50^{\circ}\text{C}$

Technical information

Testing and Operating Pressures

Henrad Everest Line has been independently tested to ensure these radiators perform to a maximum working pressure of 10.0 bar.

Connections

Henrad Everest Line has 4 x 1/2" BSP connections as standard.

Paint Process

Two coat paint process, each Henrad radiator is subjected to a multi-stage cleaning and paint process.

The final powder coat is Traffic white (RAL A9016) which is stoved and cooled to give a perfect finish. All radiators are illustrated in Traffic white unless stated.

Water Treatment

Installation of the system should be properly flushed and fitted in accordance with the British Code of Practice for the Treatment of Water in Domestic Hot Water Central Heating Systems.

Warranty

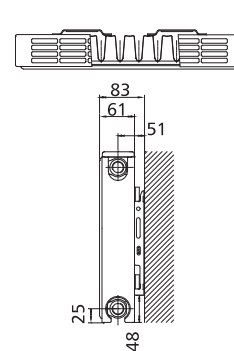
Henrad Everest Line comes with a 5 year manufacturer's warranty.

Henrad Everest Line

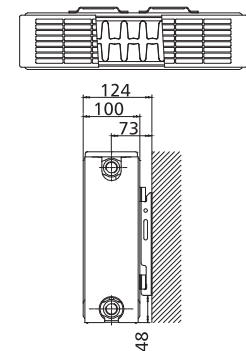
Wall Mounting Information

All dimensions in mm.

T11

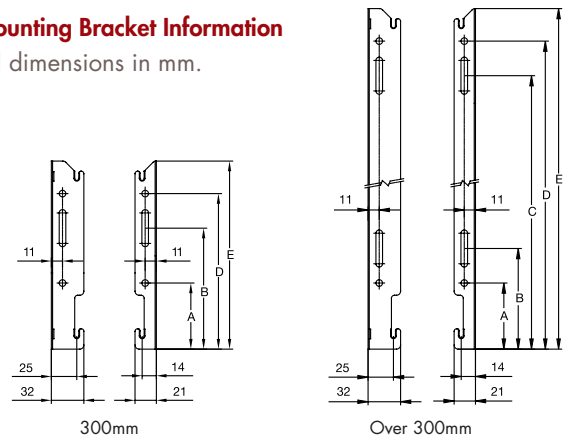


T22



Mounting Bracket Information

All dimensions in mm.

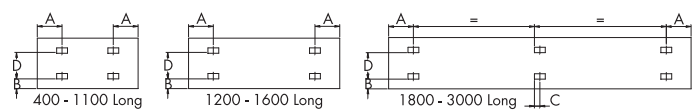


All dimensions in mm.

Height	500	600
A	65	65
B	99	99
C	319	419
D	333	453
E	385	485

T11 & T22 Lug Positions

All dimensions in mm.



Panel Height	D
mm	mm
500	355
600	455

T22	T11
Dimensions	Dimensions
mm	mm
A 133	A 400mm 117
B 60	A 500 - 3000mm 150
	B 400 - 3000mm 60
	C 1800 - 3000mm 17

Henrad (UK) Limited, Marriott Road,
Mexborough, South Yorkshire S64 8BN.
Telephone: 0800 876 6813

www.henrad.co.uk