



Height mm	Length mm	SINGLE CONVECTOR TYPE 11				SINGLE CONVECTOR TYPE 21				DOUBLE CONVECTOR TYPE 22			
		Henrad Code	Heat emissions Watts	Btu/hr	Henrad Price	Henrad Code	Heat emissions Watts	Btu/hr	Henrad Price	Henrad Code	Heat emissions Watts	Btu/hr	Henrad Price
300	500	2031105	255	868	£16.14	2032105	373	1271	£24.30	2032205	491	1675	£30.73
	1000	2031110	509	1737	£32.02	2032110	745	2542	£48.28	2032210	982	3351	£61.28
	1500	2031115	764	2605	£47.94	2032115	1118	3813	£72.27	2032215	1473	5026	£91.85
	1600	-	-	-	-	-	-	-	-	2032216	1571	5362	£122.52
	2000	2031120	1018	3473	£63.88	2032120	1490	5084	£96.26	2032220	1964	6701	£122.40
450	400	2011104	302	1032	£19.26	2012104	422	1440	£27.97	2012204	548	1871	£35.05
	500	2011105	378	1290	£24.00	2012105	528	1800	£34.88	2012205	686	2339	£43.79
	600	2011106	454	1548	£28.76	2012106	633	2160	£41.81	2012206	823	2807	£52.53
	700	2011107	529	1806	£33.54	2012107	739	2520	£48.74	2012207	960	3274	£61.28
	800	2011108	605	2064	£38.29	2012108	844	2880	£55.67	2012208	1097	3742	£70.01
	900	2011109	680	2322	£43.07	2012109	950	3240	£62.61	2012209	1234	4210	£78.74
	1000	2011110	756	2579	£47.86	2012110	1055	3600	£69.56	2012210	1371	4678	£87.48
	1100	2011111	832	2837	£52.61	2012111	1161	3960	£76.47	2012211	1508	5146	£96.23
	1200	2011112	907	3095	£57.40	2012112	1266	4320	£83.41	2012212	1645	5613	£104.96
	1400	2011114	1058	3611	£66.92	2012114	1477	5040	£97.27	2012214	1919	6549	£122.45
	1600	2011116	1210	4127	£76.47	2012116	1688	5759	£111.13	2012216	2194	7485	£139.92
	1800	2011118	1361	4643	£86.02	2012118	1899	6479	£124.99	2012218	2468	8420	£157.40
	2000	2011120	1512	5159	£95.58	2012120	2110	7199	£138.86	2012220	2742	9356	£174.89
	2200	2011122	1663	5675	£105.12	-	-	-	-	2012222	3016	10291	£192.38
	2400	2011124	1814	6191	£114.67	-	-	-	-	2012224	3290	11227	£209.87
600	300	2061103	294	1003	£26.47	-	-	-	-	-	-	-	-
	400	2061104	392	1338	£25.05	2062104	538	1836	£36.09	2062204	693	2364	£44.98
	500	2061105	490	1672	£31.26	2062105	673	2295	£45.04	2062205	866	2955	£56.21
	600	2061106	588	2006	£37.51	2062106	807	2753	£54.01	2062206	1039	3546	£67.44
	700	2061107	686	2341	£43.74	2062107	942	3212	£62.98	2062207	1212	4137	£78.69
	800	2061108	784	2675	£49.97	2062108	1076	3671	£71.93	2062208	1386	4728	£89.93
	900	2061109	882	3009	£56.21	2062109	1211	4130	£80.91	2062209	1559	5319	£101.15
	1000	2061110	980	3344	£62.45	2062110	1345	4589	£89.88	2062210	1732	5910	£112.39
	1100	2061111	1078	3678	£68.71	2062111	1480	5048	£98.84	2062211	1905	6501	£123.62
	1200	2061112	1176	4013	£74.93	2062112	1614	5507	£107.83	2062212	2078	7092	£134.88
	1400	2061114	1372	4681	£87.40	2062114	1883	6425	£125.77	2062214	2425	8273	£157.35
	1600	2061116	1568	5350	£99.88	2062116	2152	7343	£143.69	2062216	2771	9455	£179.83
	1800	2061118	1764	6019	£112.37	2062118	2421	8260	£161.64	2062218	3118	10637	£202.30
	2000	2061120	1960	6688	£124.84	2062120	2690	9178	£179.58	2062220	3464	11819	£223.53
	2200	2061122	2156	7356	£137.33	-	-	-	-	2062222	3810	13001	£247.26
2400	2061124	2352	8025	£149.80	-	-	-	-	2062224	4157	14183	£269.73	
700	400	2071104	447	1527	£28.72	2072104	612	2088	£41.31	2072204	784	2676	£51.38
	500	2071105	559	1906	£35.88	2072105	765	2610	£51.59	2072205	981	3345	£64.22
	600	2071106	670	2287	£43.04	2072106	918	3132	£61.87	2072206	1177	4015	£77.07
	700	2071107	782	2668	£50.20	2072107	1071	3654	£72.17	2072207	1373	4684	£89.93
	800	2071108	894	3049	£57.39	2072108	1224	4176	£82.45	2072208	1569	5353	£102.77
	900	2071109	1005	3430	£64.53	2072109	1377	4698	£92.73	2072209	1765	6022	£115.63
	1000	2071110	1117	3811	£71.70	2072110	1530	5220	£103.01	2072210	1961	6691	£128.47
	1100	2071111	1229	4192	£78.85	2072111	1683	5742	£113.30	2072211	2157	7360	£141.30
	1200	2071112	1340	4573	£86.02	2072112	1836	6264	£123.58	2072212	2353	8029	£154.17
	1400	2071114	1564	5336	£100.36	2072114	2142	7309	£144.14	2072214	2745	9367	£179.89
	1600	2071116	1787	6098	£114.69	2072116	2448	8353	£164.70	2072216	3138	10705	£205.57
	1800	2071118	2011	6860	£129.01	2072118	2754	9397	£185.31	2072218	3530	12044	£231.26
	2000	2071120	2234	7622	£143.35	2072120	3060	10441	£205.87	2072220	3922	13382	£256.98
2600	2071126	2904	9908	£186.43	-	-	-	-	-	-	-	-	

Technical information

Testing and Operating Pressures

Henrad Compact Range has been independently tested to ensure these radiators perform to a maximum working pressure of 10 bar.

Connections

Henrad Compact has 4 x 1/2" BSP connections as standard.

Paint Process

Two coat paint process, each Henrad radiator is subjected to a multi-stage cleaning and paint process.

The final powder coat is Traffic white (RAL A9016) which is stoved and cooled to give a perfect finish. All radiators are illustrated in Traffic white unless stated.

Water Treatment

Installation of the system should be properly flushed and fitted in accordance with the British Code of Practice for the Treatment of Water in Domestic Hot Water Central Heating Systems.

Warranty

Henrad Compact Range comes with a 10 year manufacturer's warranty.

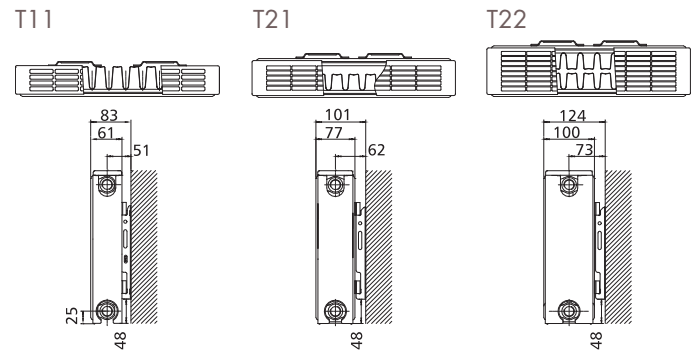
Henrad (UK) Limited, Marriott Road,
Mexborough, South Yorkshire S64 8BN.
Telephone: 0844 543 6200 Facsimile: 0844 543 6300

www.henrad.co.uk

Henrad Compact

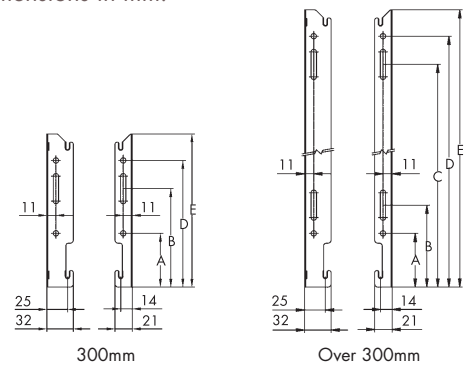
Wall Mounting Information

All dimensions in mm.



Mounting Bracket Information

All dimensions in mm.

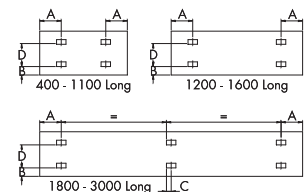


All dimensions in mm.

Height	300	450	500	600	700
A	65	65	65	65	65
B	119	99	99	99	99
C	-	269	319	419	519
D	153	303	333	453	553
E	185	335	385	485	585

T11, T21 & T22 Lug Positions

All dimensions in mm.



Panel Height	D
mm	mm
300	155
450	305
600	455
700	555

T21 & T22	T11
Dimensions	Dimensions
mm	mm
A	133 A 400mm
B	60 A 500 - 3000mm
	B 400 - 3000mm
	60
	C 1800 - 3000mm
	17